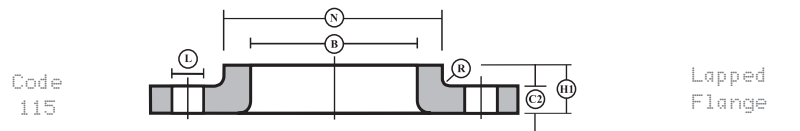
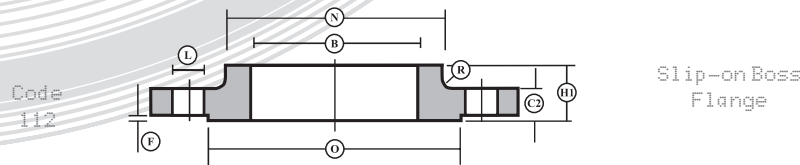
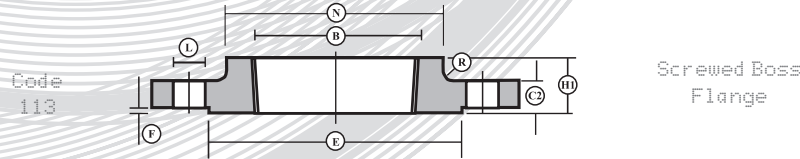
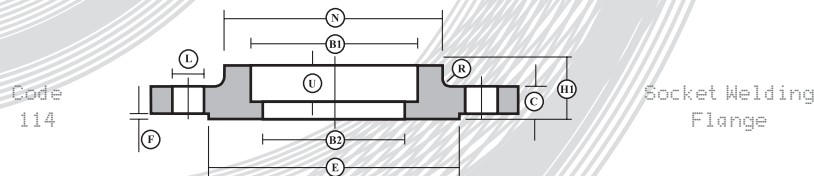
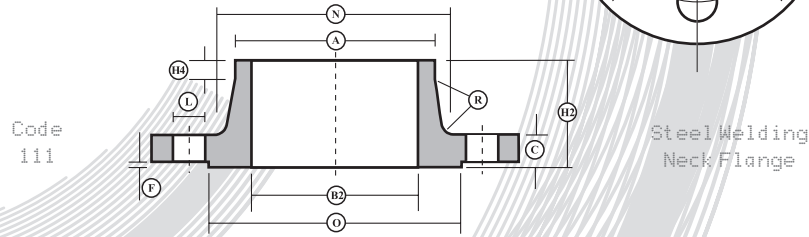
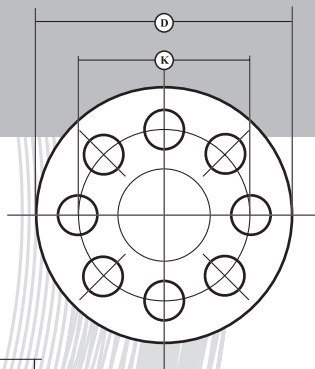


STAINLESS STEEL AND NICKEL ALLOY FLANGES



BS1560 :
Section: 3.1:1989

Note: This diagram illustrates the correct position but not necessarily the correct number of bolt holes



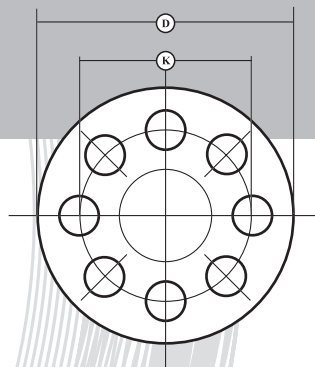
N B Size INS MM	D	K	L	A	C	N	H1	H2	H3	H4	T	B1	B2	B3	R	R1	U	O	F	No. Holes
1/2 15	89	60.3	15.9	21.3	11.1	30	15.9	47.6	15.9		15.9	22.4		23	3	3	9.5	34.9	1.6	4
3/4 20	98	69.8	15.9	26.7	12.7	38	15.9	52.4	15.9		15.9	27.7		28	3	3	11	42.9	1.6	4
1 25	108	79.4	15.9	33.4	14.3	49	17.5	55.6	17.5		17.5	34.5		35	3	3	12.5	50.8	1.6	4
1 1/4 32	117	88.9	15.9	42.2	15.9	59	20.6	57.2	20.6		20.6	43.2		43.5	3	5	14.5	63.5	1.6	4
1 1/2 40	127	98.4	15.9	48.3	17.5	65	22.2	61.9	22.2		22.2	49.5		50	3	6.5	16	73	1.6	4
2 50	152	120.6	19	60.3	19	78	25.4	63.5	25.4		25.4	62		62.5	3	8	17.5	92.1	1.6	4
2 1/2 65	178	139.7	19	73	22.2	90	28.6	69.9	28.6		28.6	74.7		75.5	3	8	19	104.8	1.6	4
3 80	190	152.4	19	88.9	23.8	108	30.2	69.9	30.2		30.2	90.7		91.5	3	9.5	20.5	127	1.6	4
*3 1/2 88	215.9	177.8	19	101.6	23.8	122	31.8	71.4	31.8		31.8	103.4		104.1	3	9.7	-	139.7	1.6	8
4 100	229	190.5	19	114.3	23.8	135	33.3	76.2	33.3		33.3	116.1		117	3	11	-	157.2	1.6	8
5 125	254	215.9	22.2	141.3	23.8	164	36.5	88.9	36.5		36.5	143.8		145	6.5	11	-	185.7	1.6	8
6 150	279	241.3	22.2	168.3	25.4	192	39.7	88.9	39.7		39.7	170.7		171	6.5	12.5	-	215.9	1.6	8
8 200	343	298.4	22.2	219.1	28.6	246	44.5	101.6	44.5		-	221.5		222	6.5	12.5	-	269.9	1.6	8
10 250	406	362	25.4	273	30.2	305	49.2	101.6	49.2		-	276.4		277	6.5	12.5	-	323.8	1.6	12
12 300	483	431.8	25.4	323.9	31.8	365	55.6	114.3	55.6		-	327.2		328	9.5	12.5	-	381	1.6	12
14 350	533	476.2	28.6	355.6	34.9	400	57.2	127	79.4		-	359.2		360	9.5	12.5	-	412.7	1.6	12
16 400	597	539.8	28.6	406.4	36.5	457	63.5	127	87.3		-	410.5		411	9.5	12.5	-	469.9	1.6	16
18 450	635	577.8	31.8	457.2	39.7	505	68.3	139.7	96.8		-	461.8		462	9.5	12.5	-	533.4	1.6	16
20 500	698	635	31.8	508	42.9	559	73	144.5	103.2		-	513.1		514	9.5	12.5	-	584.2	1.6	20
24 600	813	749.3	34.9	609.6	47.6	664	82.6	152.4	111.1		-	616		616	9.5	12.5	-	692.1	1.6	20

Note: 3.5" nominal bore dimensions are specified only in ASME/ANSI B16.5

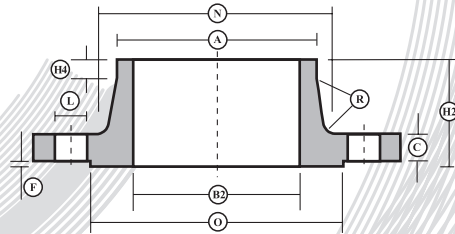
N B Size INS MM	D	K	L	A	C	N	H1	H2	H3	H4	T	B1	B2	B3	R	R1	U	O	F	No. Holes
1/2 15	95	66.7	15.9	21.3	14.3	38	22.2	52.4	22.2		16	22.4		23	3	3	9.5	34.9	1.6	4
3/4 20	117	82.6	19	26.7	15.9	48	25.4	57.2	25.4		16	27.7		28	3	3	11	42.9	1.6	4
1 25	124	88.9	19	33.4	17.5	54	27	61.9	27		17	34.5		35	3	3	12.5	50.8	1.6	4
1 1/4 32	133	98.4	19	42.2	19	64	27	65.1	27		21	43.2		43.5	3	5	14.5	63.5	1.6	4
1 1/2 40	156	114.3	22.2	48.3	20.6	70	30.2	68.3	30.2		22	49.5		50	3	6.5	16	73	1.6	4
2 50	165	127	19	60.3	22.2	84	33.3	69.9	33.3		29	62		62.5	3	8	17.5	92.1	1.6	8
2 1/2 65	190	149.2	22.2	73	25.4	100	38.1	76.2	38.1		32	74.7		75.5	3	8	19	104.8	1.6	8
3 80	210	168.3	22.2	88.9	28.6	117	42.9	79.4	42.9		32	90.7		91.5	3	9.5	20.5	127	1.6	8
*3 1/2 88	228.6	184.2	22.4	101.6	30.2	133.4	44.5	81	44.5		36.6	103.4		104.1	3	9.7	-	139.7	1.6	8
4 100	254	200	22.2	114.3	31.8	146	47.6	85.7	47.6		37	116.1		117	3	9.5	-	157.2	1.6	8
5 125	279	235	22.2	141.3	34.9	178	50.8	98.4	50.8		43	143.8		145	6.5	11	-	185.7	1.6	8
6 150	318	269.9	22.2	168.3	36.5	206	52.4	98.4	52.4		46	170.7		171	6.5	12.5	-	215.9	1.6	12
8 200	381	330.2	25.4	219.1	41.3	260	61.9	111.1	61.9		-	221.5		222	6.5	12.5	-	269.9	1.6	12
10 250	444	387.4	28.6	273	47.6	321	66.8	117.5	95.3		-	276.4		277	6.5	12.5	-	323.8	1.6	16
12 300	521	450.8	31.8	323.9	50.8	375	73	130.2	101.6		-	327.2		328	9.5	12.5	-	381	1.6	16
14 350	584	514.4	31.8	355.6	54	425	76.2	142.9	111.1		-	359.2		360	9.5	12.5	-	412.7	1.6	20
16 400	648	571.5	34.9	406.4	57.2	483	82.6	146.1	120.7		-	410.5		411	9.5	12.5	-	469.9	1.6	20
18 450	711	628.6	34.9	457.2	60.3	533	88.9	158.8	130.2		-	461.8		462	9.5	12.5	-	533.4	1.6	24
20 500	775	685.8	34.9	508	63.5	587	95.3	162	139.7		-	513.1		514	9.5	12.5	-	584.2	1.6	24
24 600	914	812.8	41.3	609.6	69.8	702	106.4	168.3	152.4		-	616		616	9.5	12.5	-	692.1	1.6	24

Note: 3.5" nominal bore dimensions are specified only in ASME/ANSI B16.5

Note: This diagram shows the correct position but not necessarily the correct number of bolt holes

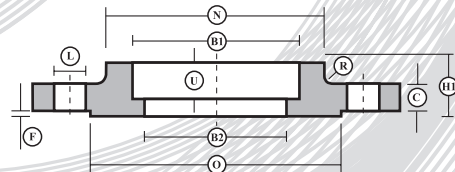


Code 111



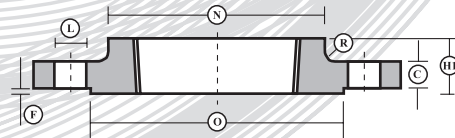
Steel Welding Neck Flange

Code 114
Class 600 Only



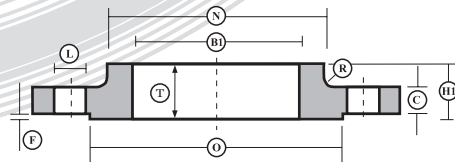
Socket Welding Flange

Code 113



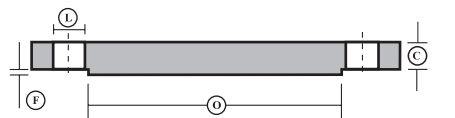
Screwed Boss Flange

Code 112



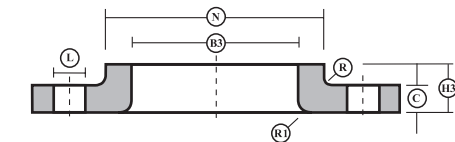
Slip-on Boss Flange

Code 105



Steel Plate Blind Flange

Code 115



Lapped Flange

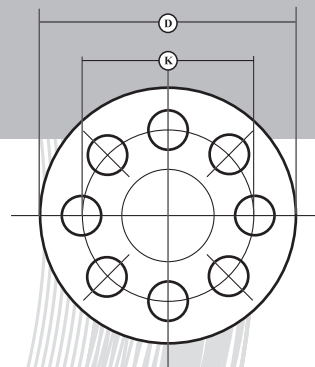
N B Size INS MM	D	K	L	A	C	N	H1	H2	H3	H4	T	B1	B2	B3	R	R1	U	O	F	No. Holes
1/2 15	95	66.7	15.9	21.3	14.3	38	22.2	52.4	22.2		16	22.4		23	3	3	9.5	34.9	6.4	4
3/4 20	117	82.6	19	26.7	15.9	48	25.4	57.2	25.4		16	27.7		28	3	3	11	42.9	6.4	4
1 25	124	88.9	19	33.4	17.5	54	27	61.9	27		17	34.5		35	3	3	12.5	50.8	6.4	4
1 1/4 32	133	98.4	19	42.2	20.6	64	28.6	66.8	28.6		21	43.2		43.5	3	5	14.5	63.5	6.4	4
1 1/2 40	156	114.3	22.2	48.3	22.2	70	31.8	69.9	31.8		22	49.5		50	3	6.5	16	73	6.4	4
2 50	165	127	19	60.3	25.4	84	36.5	73	36.5		29	62		62.5	3	8	17.5	92.1	6.4	8
2 1/2 65	190	149.2	22.2	73	28.6	100	41.3	79.4	41.3		32	74.7		75.5	3	8	19	104.8	6.4	8
3 80	210	168.3	22.2	88.9	31.8	117	46	82.6	46		35	90.7		91.5	3	9.5	20.5	127	6.4	8
*3 1/2 88	228.6	184.2	25.4	101.6	35	133.4	49.3	85.9	49.3		39.6	103.4		104.1	3	9.5	-	139.7	6.4	8
4 100	273	215.9	25.4	114.3	38.1	152	54	101.6	54		41	116.1		117	3	11	-	157.2	6.4	8
5 125	330	266.7	28.6	141.3	44.4	189	60.3	114.3	60.3		48	143.8		145	6.5	11	-	185.7	6.4	8
6 150	356	292.1	28.6	168.3	47.6	222	66.8	117.5	66.8		51	170.7		171	6.5	12.5	-	215.9	6.4	12
8 200	419	349.2	31.8	219.1	55.6	273	76.2	133.4	76.2		-	221.5		222	6.5	12.5	-	269.9	6.4	12
10 250	508	431.8	34.9	273	63.5	343	85.7	152.4	111.1		-	276.4		277	6.5	12.5	-	323.8	6.4	16
12 300	559	489	34.9	323.9	66.7	400	92.1	155.6	117.5		-	327.2		328	11	12.5	-	381	6.4	20
14 350	603	527	38.1	355.6	69.8	432	93.7	165.1	127		-	359.2		360	11	12.5	-	412.7	6.4	20
16 400	686	603.2	41.3	406.4	76.2	495	106.4	177.8	139.7		-	410.5		411	11	12.5	-	469.9	6.4	20
18 450	743	654	44.4	457.2	82.6	546	117.5	184.2	151.4		-	461.8		462	11	12.5	-	533.4	6.4	20
20 500	813	723.9	44.4	508	88.9	610	127	190.5	165.1		-	513.1		514	11	12.5	-	584.2	6.4	24
24 600	940	838.2	50.8	609.6	101.6	718	139.7	203.2	184.2		-	616		616	11	12.5	-	692.1	6.4	24

Note: 3.5" nominal bore dimensions are specified only in ASME/ANSI B16.5

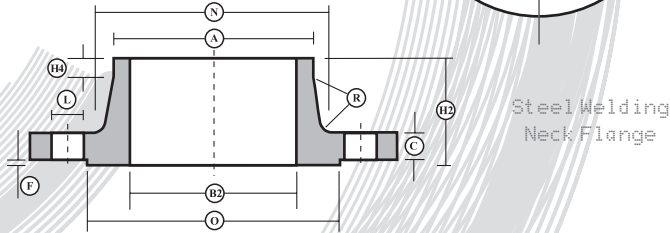
N B Size INS MM	D	K	L	A	C	N	H1	H2	H3	H4	T	B1	B2	B3	R	R1	O	F	No. Holes
3 80	241	190.5	25.4	88.9	38.1	127	54	101.6	54		41	90.7		91.5	3	9.5	127	6.4	8
4 100	292	235	31.8	114.3	44.4	159	69.9	114.3	69.9		48	116.1		117	5	11	157.2	6.4	8
5 125	349	279.4	34.9	141.3	50.8	190	79.4	127	79.4		54	143.8		145	6.5	11	185.7	6.4	8
6 150	381	317.5	31.8	168.3	55.6	235	85.7	139.7	85.7		57	170.7		171	6.5	12.5	215.9	6.4	12
8 200	470	393.7	38.1	219.1	63.5	298	101.6	162	114.3		-	221.5		222	6.5	12.5	269.9	6.4	12
10 250	546	469.9	38.1	273	69.8	368	108	184.2	127		-	276.4		277	6.5	12.5	323.8	6.4	16
12 300	610	533.4	38.1	323.9	79.4	419	117.5	200	142.9		-	327.2		328	9.5	12.5	381	6.4	20
14 350	641	558.8	41.3	355.6	85.7	451	130.2	212.8	155.6		-	359.2		360	11	12.5	412.7	6.4	20
16 400	705	616	44.4	406.4	88.9	508	133.4	215.9	165.1		-	410.5		411	11	12.5	469.9	6.4	20
18 450	787	685.8	50.8	457.2	101.6	565	152.4	228.6	190.5		-	461.8		462	11	12.5	533.4	6.4	20
20 500	857	749.3	54	508	108	622	158.8	247.7	209.6		-	513.1		514	11	12.5	584.2	6.4	20
24 600	1041	901.7	66.7	609.6	139.7	749	203.2	292.1	266.7		-	616		616	11	12.5	692.1	6.4	20

Note: For sizes 10mm-50mm nominal bore use Class 1500 dimensions

Note: This diagram shows the correct position but not necessarily the correct number of bolt holes

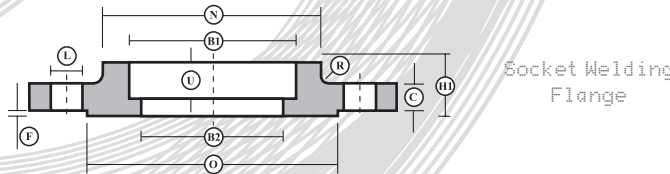


Code 111



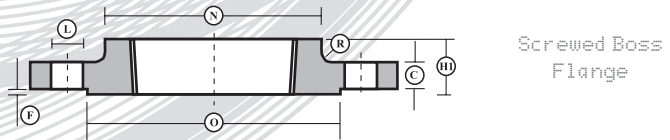
Steel Welding Neck Flange

Code 114
Class 1500 Only



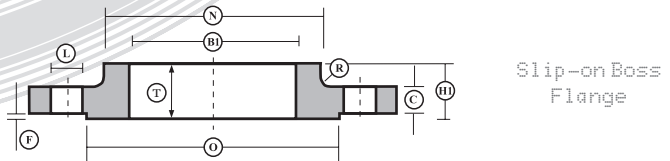
Socket Welding Flange

Code 113



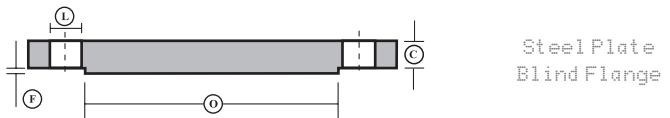
Screwed Boss Flange

Code 112
Class 1500 Only



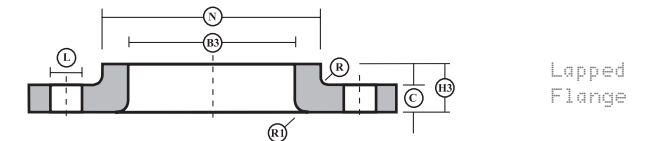
Slip-on Boss Flange

Code 105



Steel Plate Blind Flange

Code 115



Lapped Flange

N	B Size	D	K	L	A	C	N	H1	H2	H3	H4	T	B1	B2	B3	R	R1	U	O	F	No. Holes
INS	MM																				
1/2	15	121	82.6	22.2	21.3	22.2	38	31.8	60.3	31.8		22	22.4		23	5	3	9.5	34.9	6.4	4
3/4	20	130	88.9	22.2	26.7	25.4	44	34.9	69.9	34.9		25	27.7		28	5	3	11	42.9	6.4	4
1	25	149	101.6	25.4	33.4	28.6	52	41.3	73	41.3		29	34.5		35	5	3	12.5	50.8	6.4	4
1 1/4	32	159	111.1	25.4	42.2	28.6	64	41.3	73	41.3		30	43.2		43.5	5	5	14.5	63.5	6.4	4
1 1/2	40	178	123.8	28.6	48.3	31.8	70	44.5	82.6	44.5		32	49.5		50	5	6.5	16	73	6.4	4
2	50	216	165.1	25.4	60.3	38.1	105	57.2	101.6	57.2		38	62		62.5	5	8	17.5	92.1	6.4	8
2 1/2	65	244	190.5	28.6	73	41.3	124	63.5	104.8	63.5		48	74.7		75.5	5	8	19	104.8	6.4	8
3	80	267	203.2	31.8	88.9	47.6	133	73	117.5	73		51	90.7		91.5	5	9.5	-	127	6.4	8
4	100	311	241.3	34.9	114.3	54	162	90.5	123.8	90.5		57	116.1		117	5	11	-	157.2	6.4	8
5	125	375	292.1	41.3	141.3	73	197	104.8	155.6	104.8		64	143.8		145	6.5	11	-	185.7	6.4	8
6	150	394	317.5	38.1	168.3	82.6	229	119.1	171.5	119.1		70	170.7		171	6.5	12.5	-	215.9	6.4	12
8	200	483	393.7	44.4	219.1	92.1	292	142.9	212.7	142.9		-	221.5		222	6.5	12.5	-	269.9	6.4	12
10	250	584	482.6	50.8	273	108	368	158.8	254	177.8		-	276.4		277	9.5	12.5	-	323.8	6.4	12
12	300	673	571.5	54	323.9	123.8	451	181	282.6	219.1		-	327.2		328	11	12.5	-	381	6.4	16
14	350	749	635	60.3	355.6	133.4	495	-	298.5	241.3		-	359.2		360	11	12.5	-	412.7	6.4	16
16	400	826	704.8	66.7	406.4	146.1	552	-	311.2	260.4		-	410.5		411	11	12.5	-	469.9	6.4	16
18	450	914	774.7	73	457.2	161.9	597	-	327	276.2		-	461.8		462	11	12.5	-	533.4	6.4	16
20	500	984	831.8	79.4	508	178	641	-	355.6	292.1		-	513.1		514	11	12.5	-	584.2	6.4	16
24	600	1168	990.6	92	609.6	203	762	-	406.4	330.2		-	616		616	11	12.5	-	692.1	6.4	16

Min 6.4mm
Schedule to be supplied by purchaser

N	B Size	D	K	L	A	C	N	H1	H2	H3	H4	T	B2	B3	R	R1	O	F	No. Holes
INS	MM																		
1/2	15	133	88.9	22.2	21.3	30.2	43	39.7	73	39.7		29		23	5	3	34.9	6.4	4
3/4	20	140	95.2	22.2	26.7	31.7	51	42.9	79.4	42.9		32		28	5	3	42.9	6.4	4
1	25	159	107.9	25.4	33.4	34.9	57	47.6	88.9	47.6		35		35	5	3	50.8	6.4	4
1 1/4	32	184	130.2	28.6	42.2	38.1	73	52.4	95.3	52.4		38		43.5	5	5	63.5	6.4	4
1 1/2	40	203	146	31.8	48.3	44.4	79	60.3	111.1	60.3		44		50	9.5	6.5	73	6.4	4
2	50	235	171.4	28.6	60.3	50.8	95	69.9	127	69.9		51		62.5	9.5	8	92.1	6.4	8
2 1/2	65	267	196.8	31.8	73	57.1	114	79.4	142.9	79.4		57		75.5	9.5	8	104.8	6.4	8
3	80	305	228.6	34.9	88.9	66.7	133	92.1	168.3	92.1		64		91.5	9.5	9.5	127	6.4	8
4	100	356	273	41.3	114.3	76.2	165	108	190.5	108		70		117	9.5	11	157.2	6.4	8
5	125	419	323.8	47.6	141.3	92.1	203	130.2	228.6	130.2		76		145	9.5	11	185.7	6.4	8
6	150	483	368.3	54	168.3	108	235	152.4	273.1	152.4		83		171	15.5	12.5	215.9	6.4	8
8	200	552	438.1	54	219.1	127	305	-	317.5	177.8		-		222	15.5	12.5	269.9	6.4	12
10	250	673	539.7	66.7	273	165.1	375	-	419.1	228.6		-		277	15.5	12.5	323.8	6.4	12
12	300	672	619.1	73	323.9	184.1	441	-	463.6	254		-		328	15.5	12.5	381	6.4	12

Min 6.4mm
Schedule to be supplied by purchaser